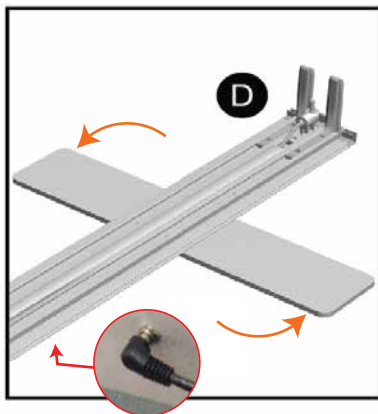
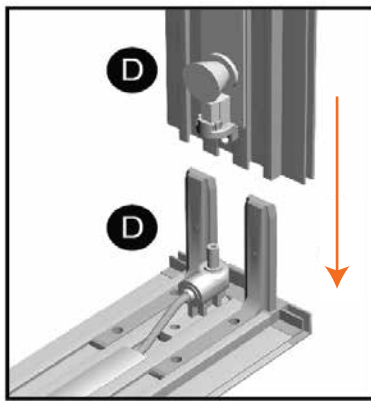


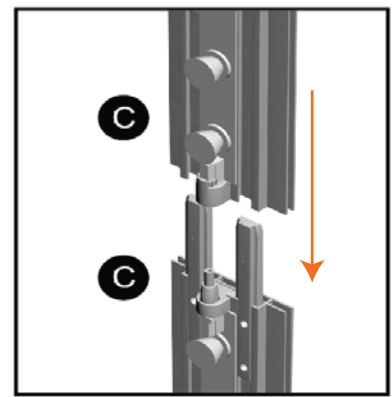
1. Lay out all frame components to ensure all parts have been provided prior to assembly. Note location of letter stickers on the parts.



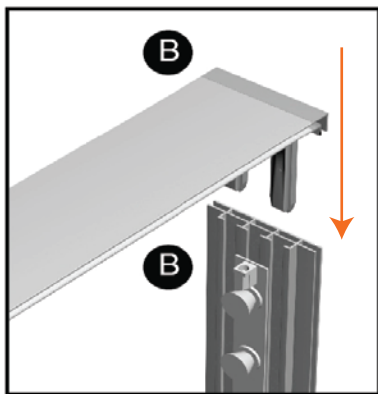
2A. Swivel the two feet on the bottom of the frame base.
2B. Plug the power cord from the power supply into the bottom of the frame base.



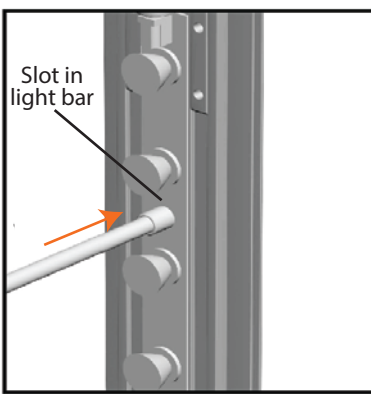
3. Matching letter stickers, attach each lower vertical pieces to the frame base. The power connections will be made automatically.



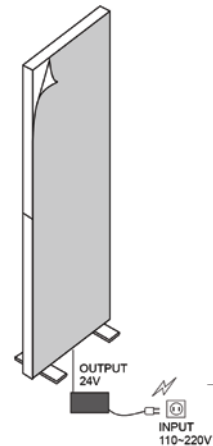
4. Attach the two upper vertical pieces to the corresponding lower vertical pieces.



5. Attach the top horizontal to both verticals.



6. Insert the frame center support pole into the slots to keep the frame sides straight.



7A. Install the fabric (See graphic installation instructions for details).
7B. Plug in the power supply.

"SEG" Fabric Graphic Installation



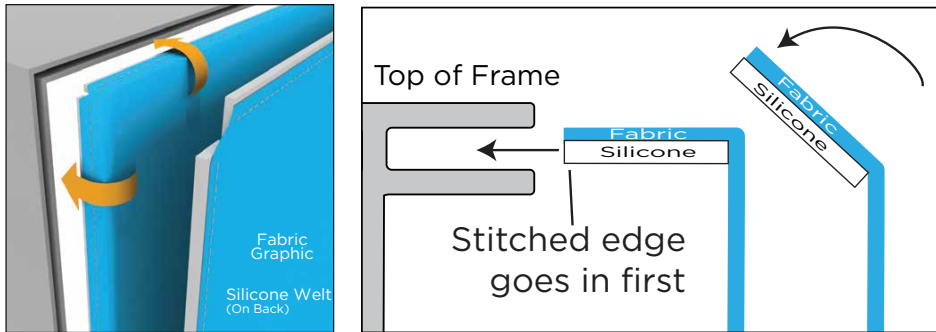
Caution! Installing silicone-edged graphics is technique sensitive; Practice will shorten installation time.



Handle graphics with care with clean hands in a clean environment. Cloth or latex gloves recommended. Keep graphics away from sharp objects.

1. Starting in a top corner, turn and tuck graphic and silicone into the channel. (#1 on the diagram)
Tuck in the opposite top corner

Use your fingertip (not fingernail) for installation.



2. Tuck the bottom two corners into the channel (#2 on diagram)
3. Tuck the middle of the two sides into the channel. (#3 on diagram)
4. Tuck the middle of the top and bottom edges into the channel. (#4 on diagram)
5. Tuck remaining silicone edge into the channel. (#5 on diagram)

